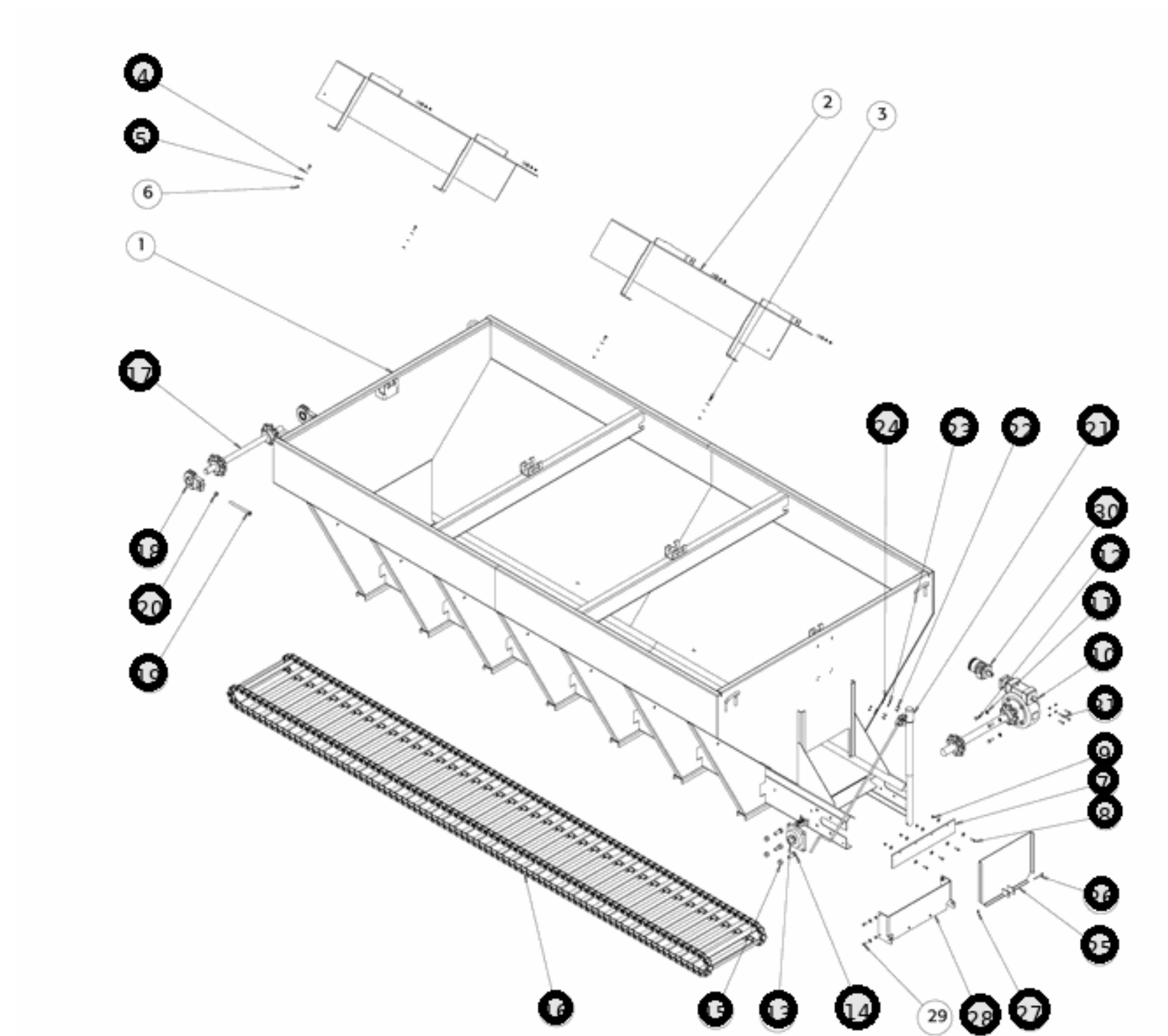




MUNI SPREADERS (OLD DESIGN)

FIGURE LIST

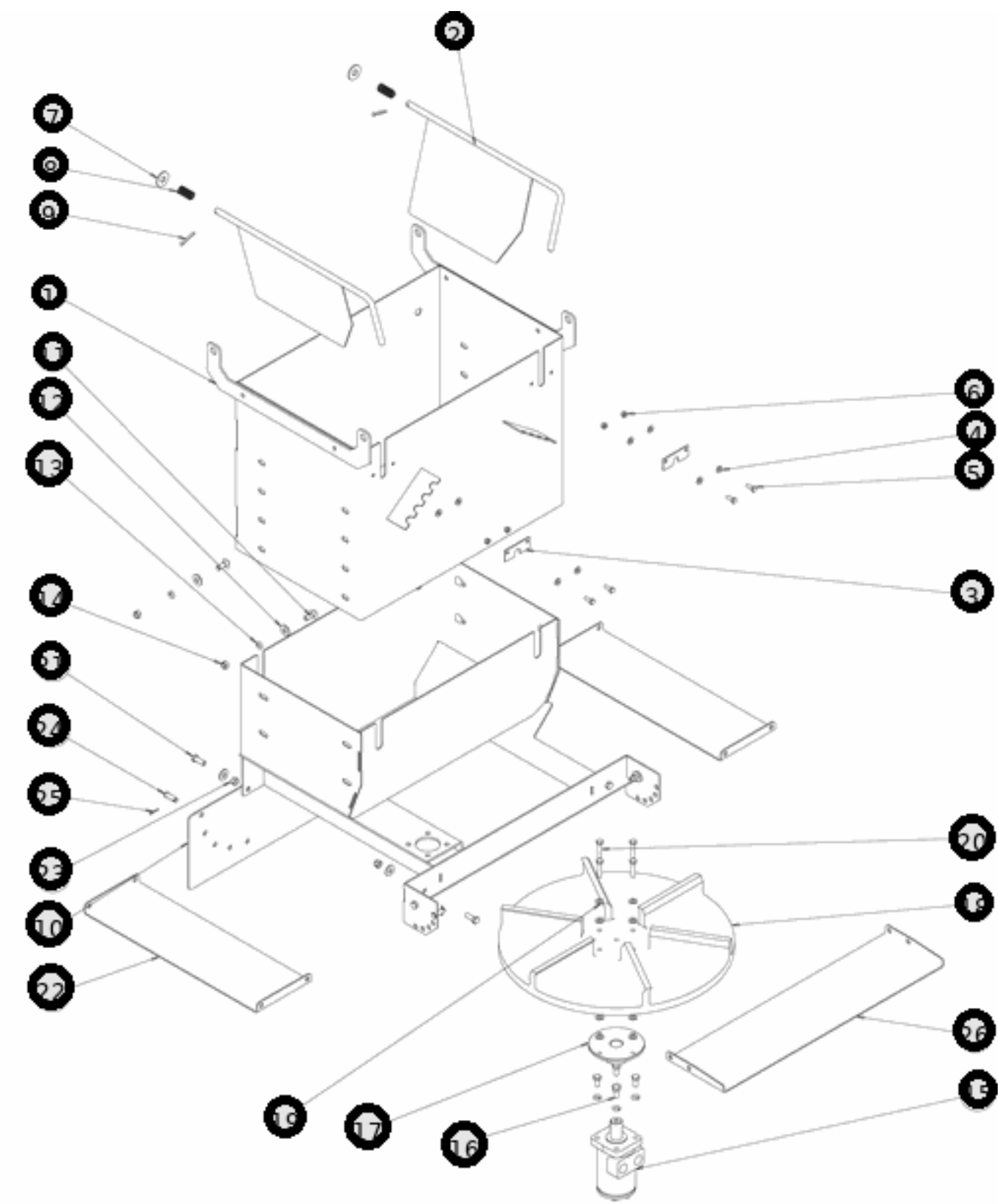
Page	Description
1	1451157SSH HOPPER ASSEMBLY
2	1451157SSH DISC-BOTTOM MOUNT MOTOR CHUTE
3	1451157SSH DISC-SPINNER DISK
4	1451157SSH GEAR BOX
5	1451157SSH IDLER SHAFT



REF	PN	DESCRIPTION
4	FWF038100007SS	WASHER-FLAT USS, 3/8IN, SST
5	FWL038069009SS	WASHER,SPLIT LOCK, 3/8IN, SST
7	3010131	WIPER, RUBBER
8	FCS038016125SS	SCREW,CAP-3/8IN-16 X 1-1/4INSST
9	FNE038016044SS	NUT-NYLOCK, 3/8-16 X 7/16 THK,SST
10	3010847	REPLACEMENT 50:1 GEARBOX ASSEMBLY WITH 2 INCH SHAFT AND SPROCKETS
10	3010991	REPLACEMENT 25:1 GEARBOX ASSEMBLY WITH 2 INCH SHAFT AND SPROCKETS
10	3019861	GEAR BOX LINKAGE
10	3035567	REPLACEMENT GEARBOX - 6:1 SPUR GEARS, 2 INCH SHAFT
11	FWL050088013SS	WASHER,SPLIT LOCK,1/2IN,SST
12	FCS050013100SS	SCREW,CAP-1/2IN-13 X 1IN, HEX
13	4F32SCR	SAM 2 INCH SET SCREW LOCKING FLANGE BEARING (4 BOLT)
14	3026276	SCREW HH, 3/4-10 X 3.0, FULL THREAD SST
15	3010659	NUT,HEX NYLOCK,3/4-10,SST
16	3015134	CHAIN, 14 FT 667X CONVEYOR
16	3015545	CHAIN 12 FT, D667X CONVEYOR
17	3010358	IDLER SHAFT,ASSEMBLY
18	3010603	REPLACEMENT 1-1/2 INCH TAKE-UP BEARING
19	3023046	BOLT WELDED, TAKE-UP
20	FNH063011054SS	NUT, HEX 5/8-11, SST
21	3010443	REPLACEMENT FEED GATE JACK ASSEMBLY
21	3036648	JACK HANDLE AND BEARING REPLACEMENT
22	FCS025020100SS	SCREW,CAP-1/4IN-20 X 1IN,
23	FWF025063007SS	WASHER,FLAT,1/4IN SAE,SST
24	FNE025020031SS	NUT,HEX-NYLOCK INSERT 1/4-20
25	3010312	FEED GATE,WELDMENT
26	FCS031018300SS	SCREW,HEX HD CAP,5/16-18X3 SST
27	FNE031018034SS	NUT,NYLOCK 5/16-18 SST
28	3010180	GUIDE CHUTE
30	CM034P	REPLACEMENT 17.9 CIR HYDRAULIC AUGER MOTOR FOR SALTDogg® SPREADER
31	FCS038016150SS	SCREW,CAP-3/8IN-16 X 1-1/2INSST

HOPPER ASSEMBLY

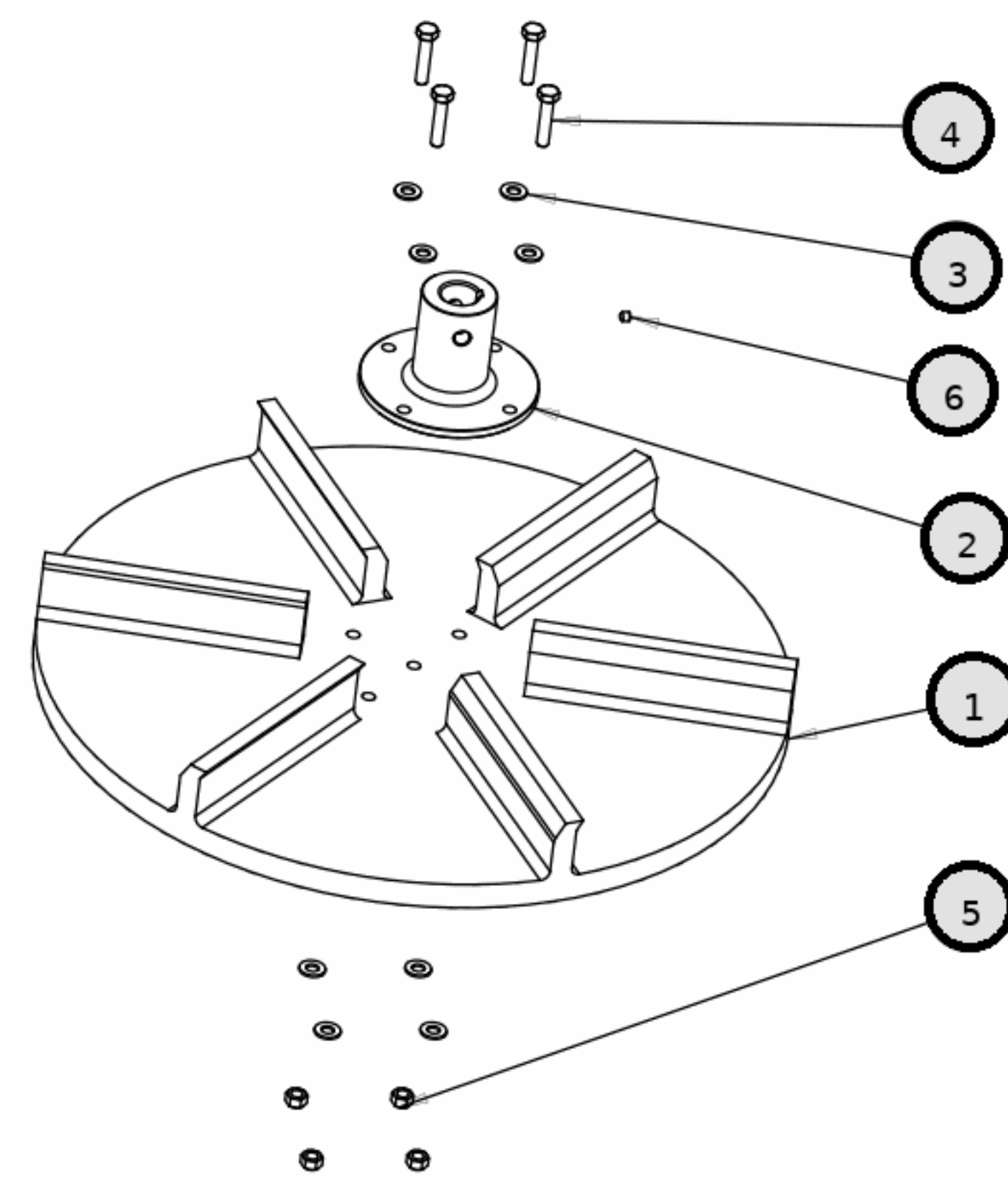
1451157SSH



REF	PN	DESCRIPTION
1	3010172	CHUTE,UPPER,WELDMENT
2	3010202	DEFLECTOR INNER WELDMENT
3	3010278	RETAINER,DEFLECTORS INNER
4	FWF025063007SS	WASHER,FLAT,1/4IN SAE,SST
5	FCS025020075SS	SCREW,CAP-1/4-20 X 3/4IN,SST
6	FNE025020031SS	NUT,HEX-NYLOCK INSERT 1/4-20
7	3000269	WASHER, FLAT,1/2IN USS, SST
8	3008853	SPRING,SPINNER CHUTE BAFFLE
9	FPC019000125	COTTER PIN 3/16 X 1-1/4
10	3012495	CHUTE,LOWER BOTTOM MOTOR WELDMENT
11	FCB037516100SS	BOLT,CARRIAGE, 3/8-16 X 1, SST
12	FWF038100007SS	WASHER-FLAT USS, 3/8IN, SST
13	FWL038069009SS	WASHER,SPLIT LOCK, 3/8IN, SST
14	FNH038016028SS	NUT-HEX, 3/8IN-16, SST
15	CM004P	HYDRAULIC MOTOR
16	FCS038016075SS	SCREW,HEX HD CAP 3/8-16X3/4SST
17	924F0017A	UNIVERSAL SPINNER HUBS
18	3010321	DISC,SPINNER ASSEMBLY
18	9240020	REPLACEMENT 20 INCH POLY CCW SPINNER FOR SALTDOGG® SPREADER
19	FWF031075006SS	WASHER,FLAT,5/16IN SAE,SST
20	FCS031018150SS	SCREW,CAP-5/16IN-18 X 1-1/2IN,
21	FCS038016100SS	SCREW CAP-3/8IN-16 X 1IN, HEX HEAD, SST
22	3012506	BAFFLE SIDE, LOWER CHUTE
23	FNE038016044SS	NUT-NYLOCK, 3/8-16 X 7/16 THK,SST
24	BCP84620SS	PIN,CLEVIS,SHK DIA .375,OAL 1.148
25	FPC009000075SS	PIN,COTTER 3/32 X 3/4 SST
26	3012507	BAFFLE REAR, LOWER CHUTE

DISC-BOTTOM MOUNT MOTOR CHUTE

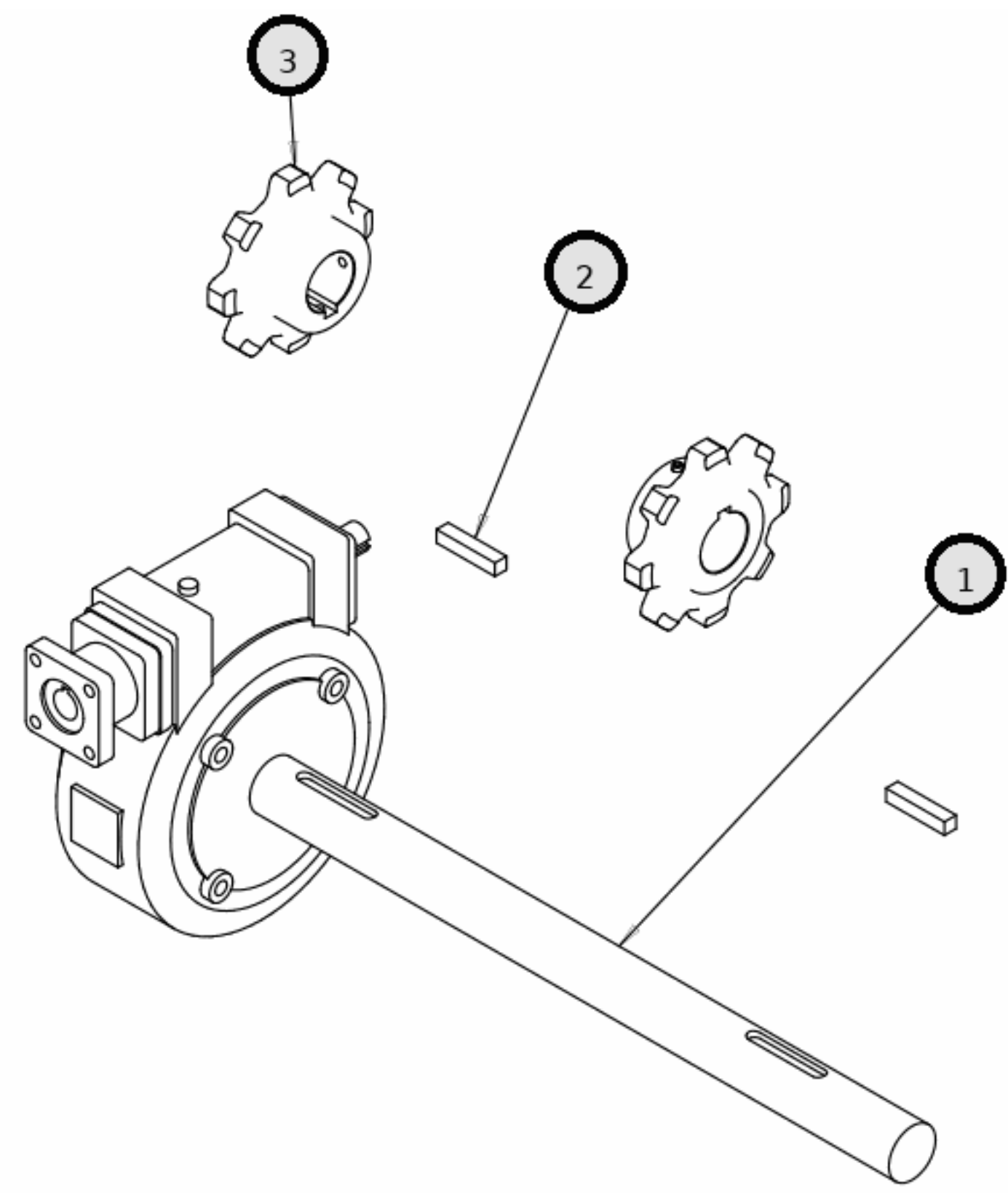
1451157SSH



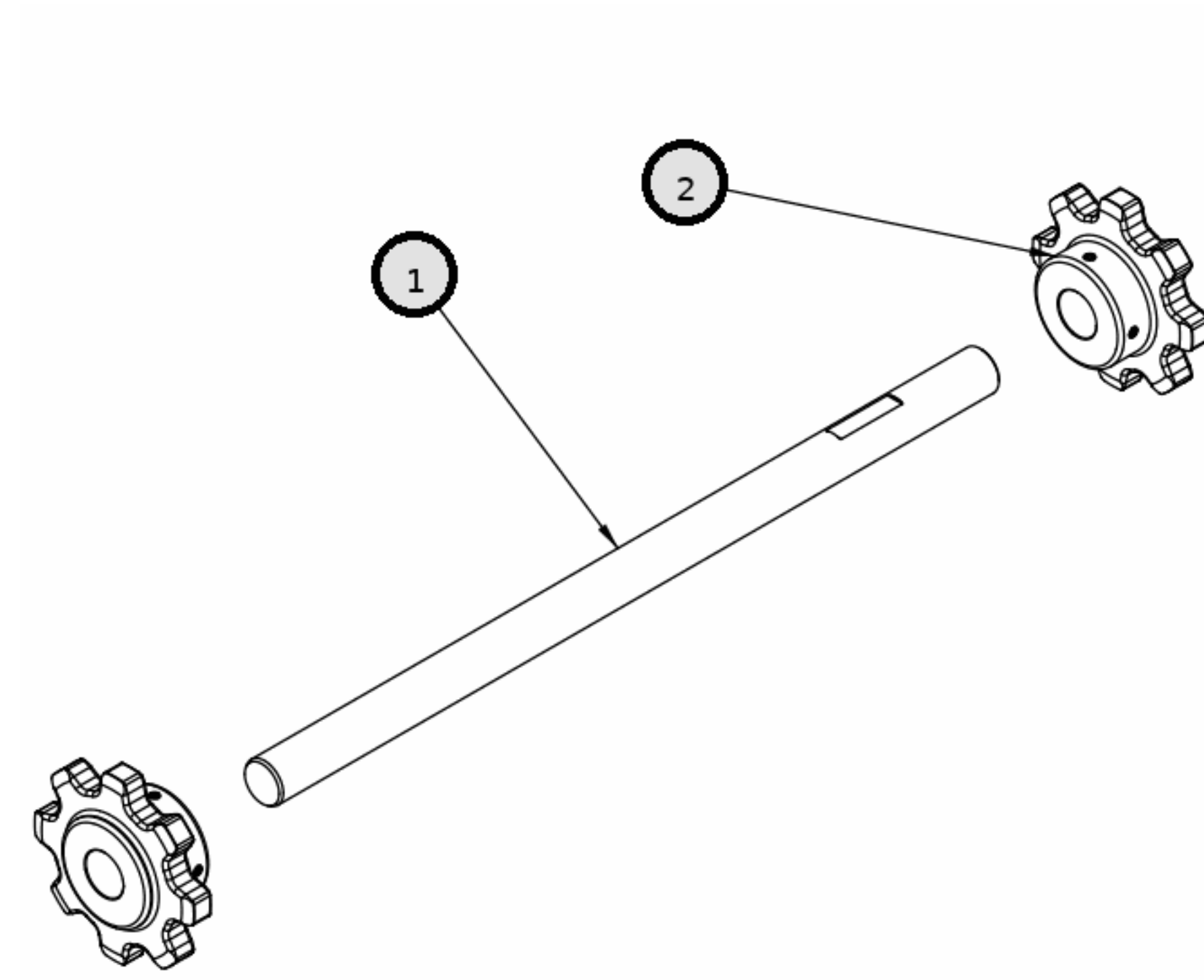
REF	PN	DESCRIPTION
NAN	3010321	DISC,SPINNER ASSEMBLY
1	9240020	REPLACEMENT 20 INCH POLY CCW SPINNER FOR SALTDOGG® SPREADER
2	3008632	SPINNER HUB FOR MID AND FULL-SIZE HOPPER SPINNERS
3	FWF031075006SS	WASHER,FLAT,5/16IN SAE,SST
4	FCS031018150SS	SCREW,CAP-5/16IN-18 X 1-1/2IN,
5	FNE031018034SS	NUT,NYLOCK 5/16-18 SST
6	FSS02502002SS	SCREW,SET, SOCKET HD CUP POINT,1/4-20X

DISC-SPINNER DISK

1451157SSH



REF	PN	DESCRIPTION
1	3010057	50:1 GEARBOX WITH 2 INCH SHAFT
1	3010057	SAM UNIVERSAL 50:1 GEARBOX WITH 2 INCH SHAFT
1	3010863	SAM UNIVERSAL 25:1 GEARBOX WITH 2 INCH SHAFT
1	3019861	GEAR BOX LINKAGE
1	3035567	REPLACEMENT GEARBOX - 6:1 SPUR GEARS, 2 INCH SHAFT
1	3050556	CAP, INPUT SHAFT, GEARBOX
2	3010989	KEY, SQUARE 1/2IN X 2-1/2IN
3	3037921	REPLACEMENT 2 INCH 8-TOOTH SPROCKET - CHUTE SIDE
3	3037921	SPROCKET, 2 INCH 8-TOOTH - CHUTE SIDE



REF	PN	DESCRIPTION
NAN	3010358	IDLER SHAFT,ASSEMBLY
1	3010034	SAM UNIVERSAL 1-1/2 INCH IDLER SHAFT
2	3010846	REPLACEMENT 1-1/2 INCH 8-TOOTH IDLER SHAFT SPROCKET - CAB SIDE

IDLER SHAFT

1451157SSH